

KEY FEATURES

- 700 W_{AES} power handling capacity
- High sensitivity: 101 dB
- Wide usable frequency range and low harmonic distortion
- Extended controlled displacement: $X_{\max} \pm 7,5$ mm
- Extended mechanical displacement capability: $X_{\text{damage}} \pm 52$ mm
- Low power compression losses
- Designed with *MMSS technology*

TECHNICAL SPECIFICATIONS

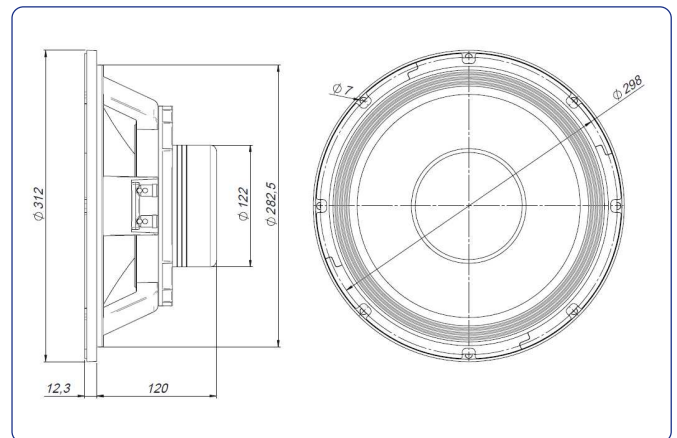
Nominal diameter	300 mm	12 in
Rated impedance		8 Ω
Minimum impedance		5,6 Ω
Power capacity*		700 W _{AES}
Program power		1.400 W
Sensitivity	101 dB	1W / 1m @ Z _N
Frequency range		50 - 4.000 Hz
Voice coil diameter	101,6 mm	4 in
BI factor		25,3 N/A
Moving mass		0,067 kg
Voice coil length		20 mm
Air gap height		12 mm
X _{damage} (peak to peak)		52 mm

THIELE-SMALL PARAMETERS**

Resonant frequency, f_s	50 Hz
D.C. Voice coil resistance, R_e	5,1 Ω
Mechanical Quality Factor, Q_{ms}	4,25
Electrical Quality Factor, Q_{es}	0,17
Total Quality Factor, Q_{ts}	0,16
Equivalent Air Volume to C_{ms} , V_{as}	65 l
Mechanical Compliance, C_{ms}	150 $\mu\text{m} / \text{N}$
Mechanical Resistance, R_{ms}	5 kg / s
Efficiency, η_0	4,65 %
Effective Surface Area, S_d	0,055 m ²
Maximum Displacement, X_{\max} ***	7,5 mm
Displacement Volume, V_d	413 cm ³
Voice Coil Inductance, L_e @ 1 kHz	0,75 mH



DIMENSION DRAWINGS



MOUNTING INFORMATION

Overall diameter	312 mm	12,28 in
Bolt circle diameter	298 mm	11,73 in
Baffle cutout diameter:		
- Front mount	283 mm	11,12 in
Depth	130 mm	5,12 in
Net weight	5,6 kg	12,32 lb
Shipping weight	6,3 kg	13,86 lb

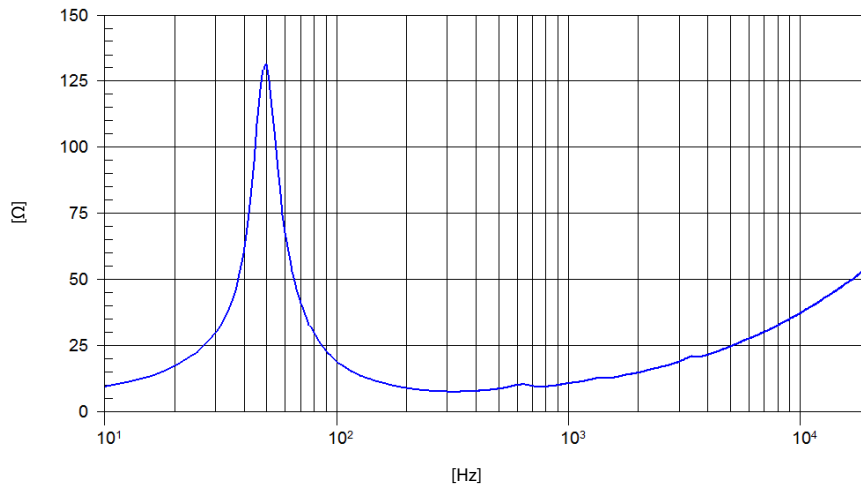
Notes:

* The power capacity is determined according to AES2-1984 (r2003) standard. Program power is defined as the transducer's ability to handle normal music program material.

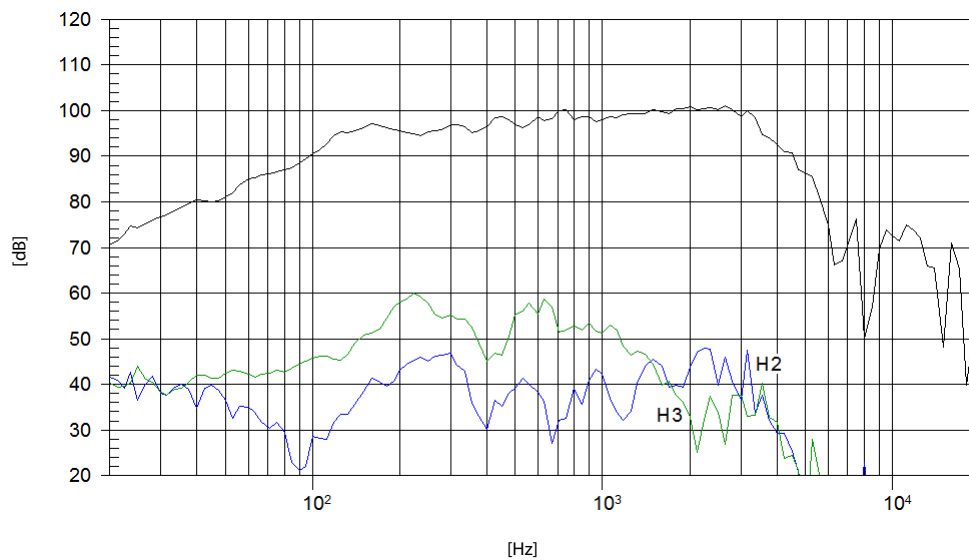
** T-S parameters are measured after an exercise period using a preconditioning power test. The measurements are carried out with a velocity-current laser transducer and will reflect the long term parameters (once the loudspeaker has been working for a short period of time).

*** The X_{\max} is calculated as $(L_{vc} - H_{ag})/2 + (H_{ag}/3,5)$, where L_{vc} is the voice coil length and H_{ag} is the air gap height.

FREE AIR IMPEDANCE CURVE



FREQUENCY RESPONSE AND DISTORTION



Note: On axis frequency response measured with loudspeaker standing on infinite baffle in anechoic chamber, 1W @ 1m